

METTLER TOLEDO

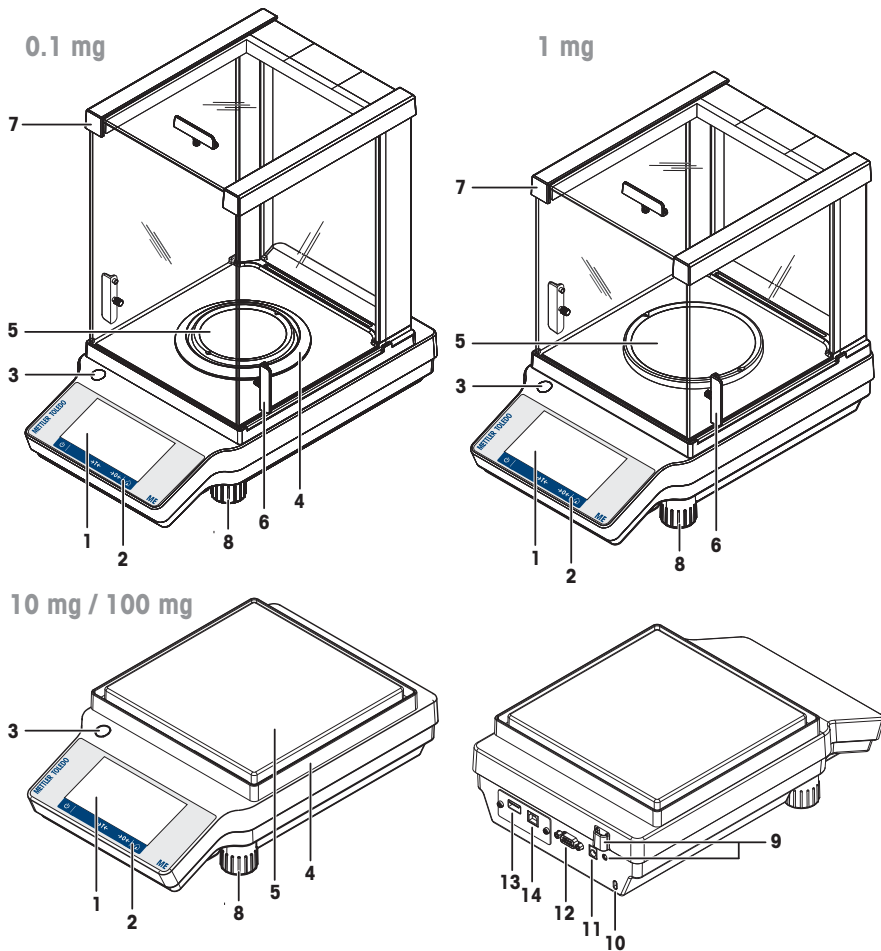


This User Manual is a brief instruction that provides information to handle with the first steps of the instrument in a safe and efficient manner. Personnel must have carefully read and understood this manual before performing any tasks.

For full information, always consult the Reference Manual (RM).

► www.mt.com/ME-T-RM

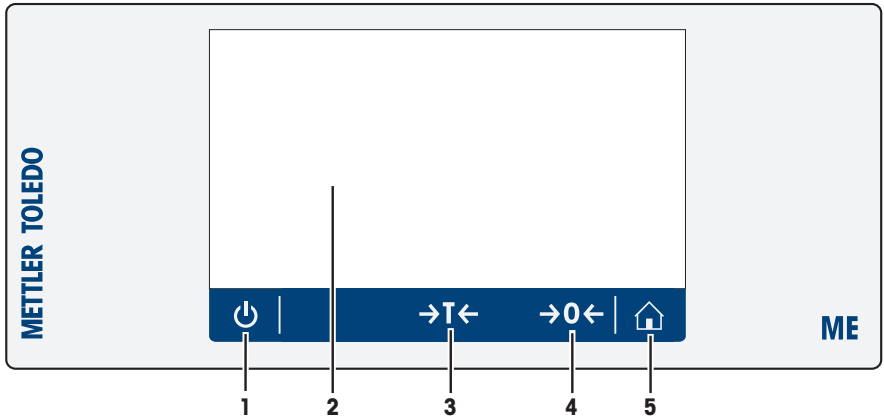
Overview balance



1	Touch screen (Capacitive color TFT)	8	Leveling feet
2	Operating keys	9	Legal for trade sealing
3	Level indicator	10	Kensington slot for anti-theft purposes
4	Draft shield element	11	Socket for AC/DC adapter
5	Weighing pan	12	RS232 serial interface

6	Handle for operation of the draft shield door	13	USB-A port (host)
7	Draft shield	14	USB-B port (device)

Overview operation keys



	Key	Name	Description
1		ON/OFF	Switches the balance on or off.
2		Capacitive color TFT touch screen	General navigation
3		Tare	Tares the balance.
4		Zero	Zeros the balance.
5		Home	Returns from any menu level, or other window to the application home screen.

Table of Contents

1	Introduction	3
1.1	Further documents and information	3
1.2	Acronyms and abbreviations	3
1.3	Compliance information	3
2	Safety Information	4
2.1	Definitions of signal words and warning symbols	4
2.2	Product specific safety notes	4
3	Design and Function	5
3.1	Overview	5
3.2	User Interface	5
3.2.1	Main settings and activities at a glance	6
3.2.2	Application home screen	7
3.2.3	Entering characters and numbers	8
3.2.4	Lists and tables	8
3.2.5	Touch screen navigation	9
4	Installation and Putting into Operation	10
4.1	Selecting the location	10
4.2	Unpacking the balance	10
4.3	Scope of delivery	11
4.4	Installation	11
4.4.1	Assembling the balance	11
4.4.2	Installing the protective cover	12
4.5	Putting into operation	14
4.5.1	Connecting the balance	14
4.5.2	Switching on the balance	14
4.5.3	Changing the date and time	15
4.5.4	Leveling the balance	15
4.5.5	Adjusting the balance	16
4.5.6	Switching off the balance	16
4.6	Performing a simple weighing	16
4.6.1	Weighing	17
4.6.2	Changing the readability	17
4.6.3	Switching weight units	18
4.7	Transporting, packing and storing	18
4.7.1	Transporting over short distances	19
4.7.2	Transporting over long distances	19
4.7.3	Packing and storing	19
5	Maintenance	19
5.1	Maintenance tasks	19
5.2	Cleaning	20
5.2.1	Disassembling balances with draft shield for cleaning	20
5.2.2	Cleaning the balance	20
5.2.3	Putting into operation after cleaning	21
6	Technical Data	21
6.1	General data	21
7	Disposal	23

1 Introduction

Thank you for choosing a METTLER TOLEDO balance. The balance combines high performance with ease of use.

EULA

The software in this product is licensed under the METTLER TOLEDO End User License Agreement (EULA) for Software.

► www.mt.com/EULA

When using this product you agree to the terms of the EULA.

1.1 Further documents and information

This document is available in other languages online.

► www.mt.com/mef-analytical

► www.mt.com/mef-precision

Instructions for cleaning a balance: "8 Steps to a Clean Balance"

► www.mt.com/lab-cleaning-guide

Search for software downloads

► www.mt.com/labweighing-software-download

Search for documents

► www.mt.com/library

For further questions, please contact your authorized METTLER TOLEDO dealer or service representative.

► www.mt.com/contact

1.2 Acronyms and abbreviations

Original term	Explanation
ASTM	American Society for Testing and Materials
EMC	Electromagnetic Compatibility
FACT	Fully automatic time- and temperature-controlled internal adjustment
FCC	Federal Communications Commission
GWP	Good Weighing Practice
ID	Identification
LPS	Limited Power Source
MT-SICS	METTLER TOLEDO Standard Interface Command Set
OIML	Organisation Internationale de Métrologie Légale (International Organization of Legal Metrology)
RM	Reference Manual
SNR	Serial Number
SOP	Standard Operating Procedure
UM	User Manual
USB	Universal Serial Bus
USP	United States Pharmacopeia

1.3 Compliance information

National approval documents, e.g., the FCC Supplier Declaration of Conformity, are available online and/or included in the packaging.

► <http://www.mt.com/ComplianceSearch>



For further information, consult the Reference Manual (RM).

2 Safety Information

Two documents named "User Manual" and "Reference Manual" are available for this instrument.

- The User Manual is printed and delivered with the instrument.
- The electronic Reference Manual contains a full description of the instrument and its use.
- Keep both documents for future reference.
- Include both documents if you transfer the instrument to other parties.

Only use the instrument according to the User Manual and the Reference Manual. If you do not use the instrument according to these documents or if the instrument is modified, the safety of the instrument may be impaired and Mettler-Toledo GmbH assumes no liability.

2.1 Definitions of signal words and warning symbols

Safety notes contain important information on safety issues. Ignoring the safety notes may lead to personal injury, damage to the instrument, malfunctions and false results. Safety notes are marked with the following signal words and warning symbols:

Signal words

DANGER	A hazardous situation with high risk, resulting in death or severe injury if not avoided.
WARNING	A hazardous situation with medium risk, possibly resulting in death or severe injury if not avoided.
CAUTION	A hazardous situation with low risk, resulting in minor or moderate injury if not avoided.
NOTICE	A hazardous situation with low risk, resulting in damage to the instrument, other material damage, malfunctions and erroneous results, or loss of data.

Warning symbols



General hazard: read the User Manual or the Reference Manual for information about the hazards and the resulting measures.



Notice

2.2 Product specific safety notes

Intended use

This instrument is designed to be used by trained staff. The instrument is intended for weighing purposes.

Any other type of use and operation beyond the limits of use stated by Mettler-Toledo GmbH without consent from Mettler-Toledo GmbH is considered as not intended.

Responsibilities of the instrument owner

The instrument owner is the person holding the legal title to the instrument and who uses the instrument or authorizes any person to use it, or the person who is deemed by law to be the operator of the instrument. The instrument owner is responsible for the safety of all users of the instrument and third parties.

Mettler-Toledo GmbH assumes that the instrument owner trains users to safely use the instrument in their workplace and deal with potential hazards. Mettler-Toledo GmbH assumes that the instrument owner provides the necessary protective gear.

Safety notes



⚠ WARNING

Death or serious injury due to electric shock

Contact with parts that carry a live current can lead to death or injury.

- 1 Only use the METTLER TOLEDO power cable and AC/DC adapter designed for your instrument.
- 2 Connect the power cable to a grounded power outlet.
- 3 Keep all electrical cables and connections away from liquids and moisture.
- 4 Check the cables and the power plug for damage and replace them if damaged.



NOTICE

Damage to the instrument or malfunction due to the use of unsuitable parts

- Only use parts from METTLER TOLEDO that are intended to be used with your instrument.

A list of spare parts and accessories can be found in the Reference Manual.

3 Design and Function

3.1 Overview

See the sections "Overview" (graphics and legend) at the very beginning of this manual.

3.2 User Interface

The screen displays information and allows the user to enter commands by tapping certain areas on its surface. You can choose the information displayed on the screen, change the balance settings and perform certain operations on the balance.



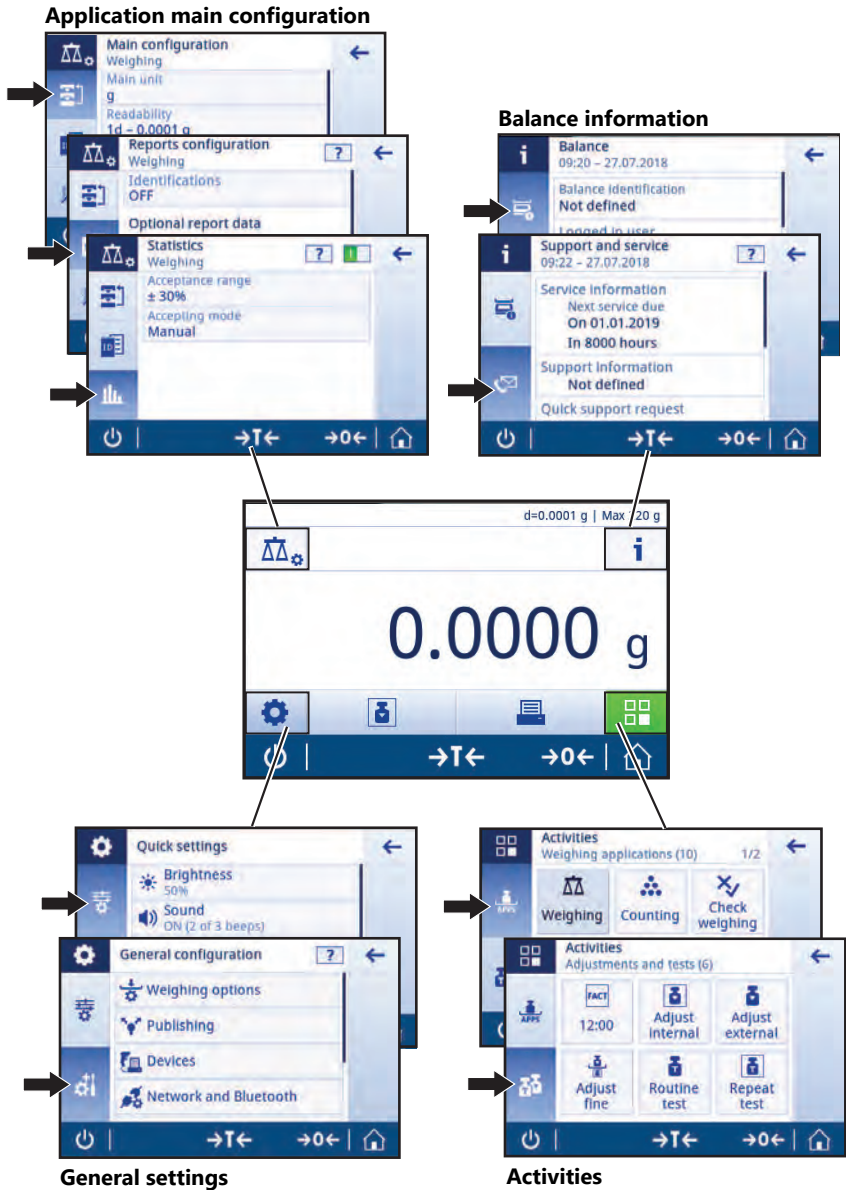
NOTICE

Damage to the touch screen due to pointed or sharp objects


- Operate the touch screen with your fingers.

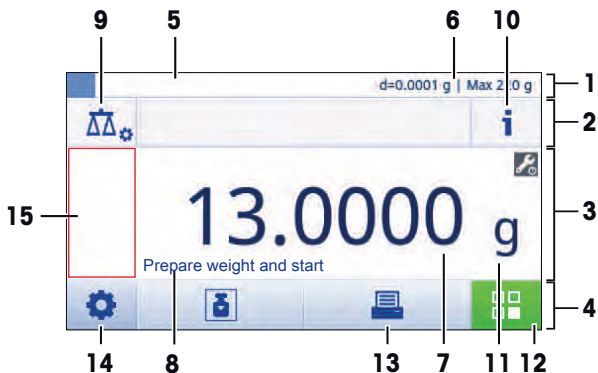
3.2.1 Main settings and activities at a glance

Depending on the application, the options available to be selected and their content may differ.



3.2.2 Application home screen

The application home screen appears after switching the balance on. It always displays the last application that was in use before the balance was switched off. The application home screen is the main screen of the balance. Every function can be accessed from here. You can return to the application home screen at any time by pressing the home button  in the lower right corner of the screen.



Information and work bars

	Name	Description
1	Weighing information bar	Displays the weighing-in aid and general balance information.
2	Work title bar	Displays information about the current activity.
3	Value bar	Displays information about the current weighing process.
4	Main navigation	Work-related functions.

Information fields

	Name	Description
5	Weighing-in aid	A dynamic graphic indicator displays how much of the total weighing range is in use.
6	Short balance information	Readability and capacity of the balance.*
7	Weighing value field	Displays the value of the current weighing process (model-specific).
8	Coach text field	Displays instructions for the current weighing process.

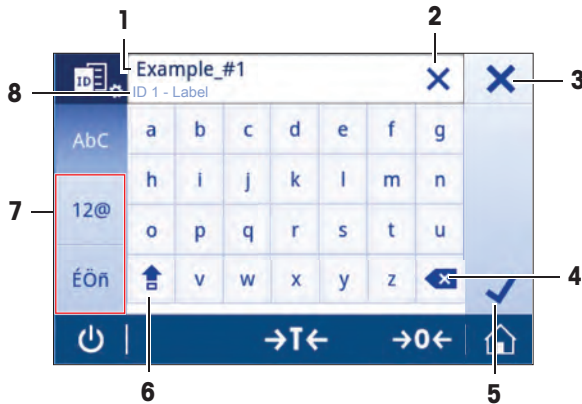
* For legal-for-trade approved balances: **Min** (minimum capacity) and **e** (verification of scale interval) are shown in the upper left corner.

Action buttons

	Name	Description
9	Activity configuration	To configure the current application, e.g., Weighing .
10	Balance information	Displays detailed technical data about the balance.
11	Weighing unit	Displays the unit of the current weighing process (model- and country-specific).
12	Activities	Opens the activities selection.
13	Print	Prints out or transfers results and/or settings (printer required).
14	Settings	Configures balance and user settings/preferences (application independent).
15	Status information field	Displays information about the system status.

3.2.3 Entering characters and numbers

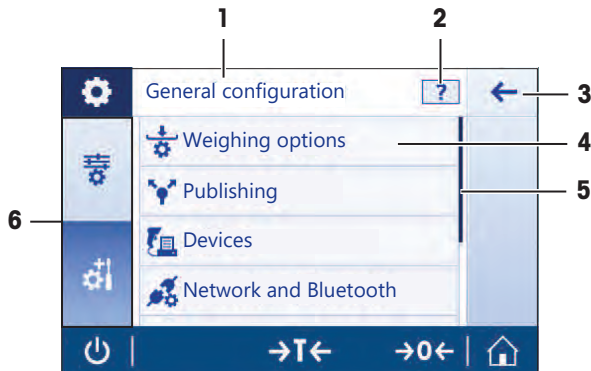
The keyboard allows the user to enter characters, including letters, numbers and a range of special characters. If a barcode reader is connected to your balance and your sample provides a barcode, scan the product barcode instead of entering the designation manually (e.g. the ID can be scanned via barcode reader to ensure that the sample is clearly assigned to the corresponding product). Additionally, it is possible to connect a USB keyboard to enter the information.



	Name	Description
1	Input field	Displays all characters that have been entered.
2	Delete all	Deletes all entered characters.
3	Discard	Discards the entered data and exits the dialog.
4	Delete	Deletes the last character.
5	Confirm	Confirms the data entered.
6	Shift	Switches between lower and upper case letters.
7	Specialized tabs	Switches keyboard mode for entering letters, numbers or special characters.
8	Explanation field	Extra information about the value to be entered.

3.2.4 Lists and tables

The basic elements in a simple list include a content title and a list of sub-elements. Tapping an element opens a list of sub-elements or an input dialog.




	Name	Description
1	List title	Title of the current list.
2	Contextual help	Additional information about the current process
3	Back button	Moves go one step back.
4	List element title	Title of the list element.
5	Scroll position	Scrolls through the list.
6	Selection tabs	Tabs of the selectable sub-categories.

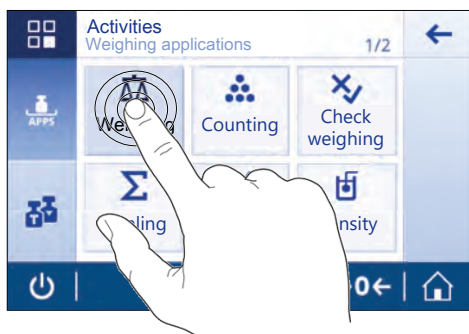
3.2.5 Touch screen navigation

To interact with the balance, use the screen and the operating keys at the bottom of the screen.

Opening an application

Due to its size, the display does not show all available applications at once. Scroll the applications by swiping the touchscreen horizontally.

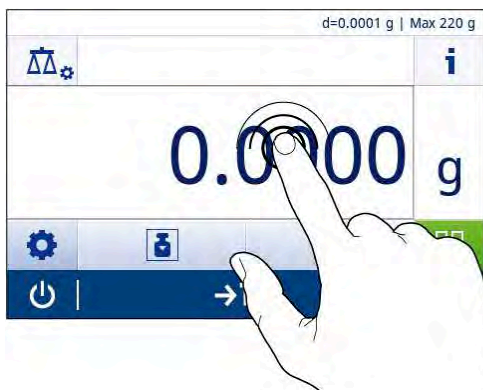
To open settings or applications, tap the application symbol, e.g.,  **Weighing**.



Using shortcuts

To simplify navigation on the touch screen, there are a few shortcuts that provide quick access to key areas of the balance. For example, the weighing value field on the application home screen works as a shortcut (see screen below), as does the weighing unit next to the weighing value field. Other shortcuts may be available to use depending on the application.

Every setting that can be changed directly via shortcut, can also be changed in the main configuration settings for that application.



4 Installation and Putting into Operation

4.1 Selecting the location

A balance is a sensitive precision instrument. The location where it is placed will have a profound effect on the accuracy of the weighing results.

Requirements of the location

Place indoors on stable table

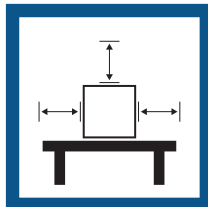
Ensure sufficient spacing

Level the instrument

Provide adequate lighting



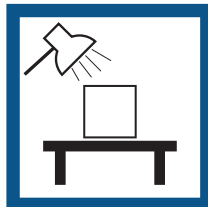
Avoid direct sunlight



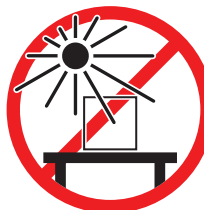
Avoid vibrations



Avoid strong drafts



Avoid temperature fluctuations



Sufficient spacing for balances: > 15 cm all around the instrument

Take into account the environmental conditions. See "Technical Data".

See also

Technical Data ▶ Page 21

4.2 Unpacking the balance

Check the package, the packaging elements and the delivered components for damages. If any components are damaged, please contact your METTLER TOLEDO service representative.

Retain all parts of the packaging. This packaging offers the best possible protection for transporting the balance.

4.3 Scope of delivery

Components		Model		
		0.1 mg	1 mg	10 mg / 100 mg
Draft shield	high, 235 mm	✓	–	–
	low, 170 mm	–	✓	–
Weighing pan	ø 90 mm	✓	–	–
	ø 120 mm	–	✓	–
	180 × 180 mm	–	–	✓
Draft shield element		✓	–	✓
Pan support		✓	–	✓
Protective cover		✓	✓	✓
Universal AC/DC adapter		✓	✓	✓
User Manual		✓	✓	✓
Declaration of Conformity		✓	✓	✓

4.4 Installation



CAUTION

Injury due to sharp objects or broken glass

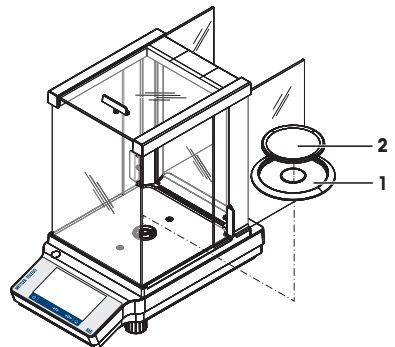
- Instrument components, e.g., glass, can break and lead to injuries.
- Always proceed with focus and care.

4.4.1 Assembling the balance

Assembling balances with a readability of 0.1 mg

Place the following components on the balance in the specified order:

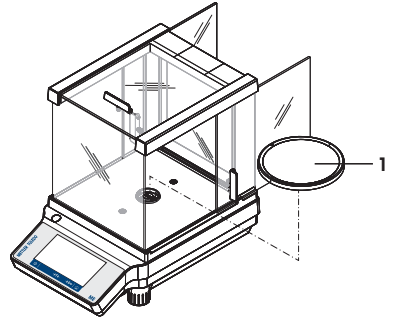
- 1 Push the side glass doors back as far as they will go.
- 2 Insert the draft shield element (1).
- 3 Insert the weighing pan (2).



Assembling balances with a readability of 1 mg

Place the following components on the balance in the specified order:

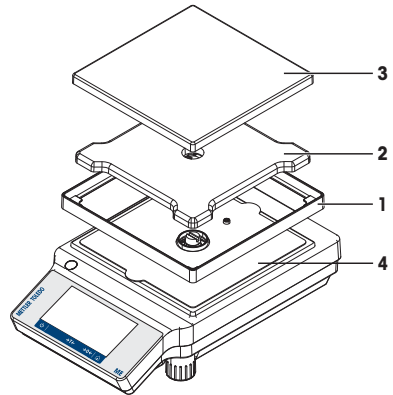
- 1 Push the side glass doors back as far as they will go.
- 2 Insert the weighing pan (1).



Assembling balances with a readability of 10 mg / 100 mg

Place the following components on the balance in the specified order:

- 1 Place the draft shield element (1).
- 2 Carefully pull apart the draft shield element to fix it under the retaining plate (4).
- 3 Place the pan support (2).
- 4 Place the weighing pan (3).



4.4.2 Installing the protective cover



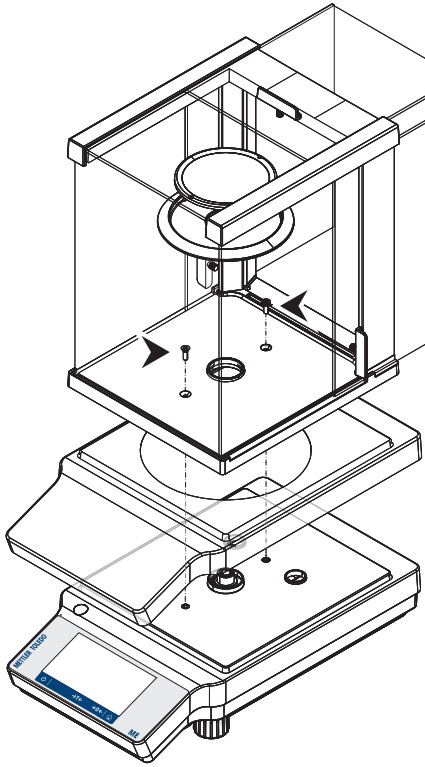
NOTICE

Damage to the instrument or malfunction due to the use of unsuitable parts

- Only use parts from METTLER TOLEDO that are intended to be used with your instrument.

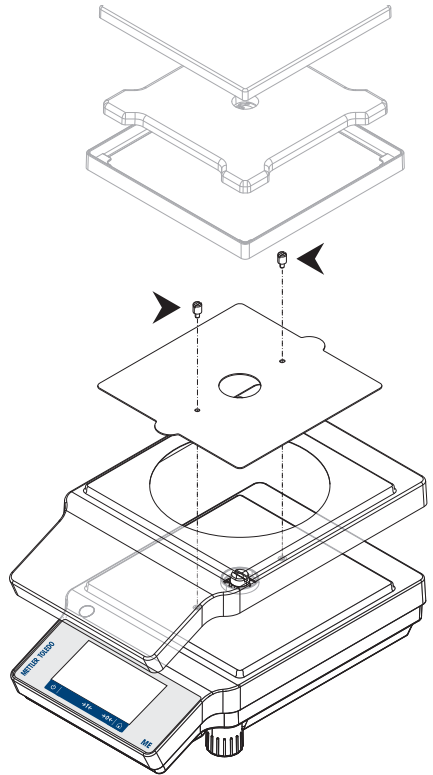
Balances with draft shield

Install the protective cover according to the illustrations below, using a screwdriver.



Balances without draft shield

Install the protective cover according to the illustrations below, using a screwdriver.



4.5 Putting into operation

4.5.1 Connecting the balance



⚠ WARNING

Death or serious injury due to electric shock

Contact with parts that carry a live current can lead to death or injury.

- 1 Only use the METTLER TOLEDO power cable and AC/DC adapter designed for your instrument.
- 2 Connect the power cable to a grounded power outlet.
- 3 Keep all electrical cables and connections away from liquids and moisture.
- 4 Check the cables and the power plug for damage and replace them if damaged.



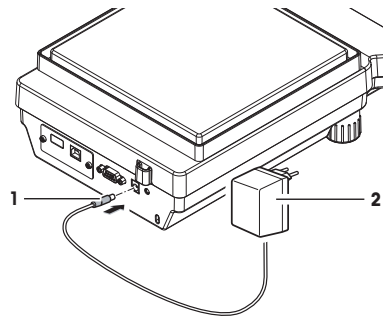
NOTICE

Damage to the AC/DC adapter due to overheating

If the AC/DC adapter is covered or in a container, it is not sufficiently cooled and will overheat.

- 1 Do not cover the AC/DC adapter.
- 2 Do not put the AC/DC adapter in a container.

- 1 Install the cables in such a way that they cannot be damaged or interfere with operation.
 - 2 Connect the AC/DC adapter (1) to the connection socket on the back of your balance.
 - 3 Connect the power cable (2) to the power socket.
 - 4 Insert the plug of the power cable into a grounded power outlet that is easily accessible.
- ➔ The balance is ready to be used.




📄 Note

Always connect the AC/DC adapter to the balance before connecting to the power.

Do not connect the instrument to a power outlet controlled by a switch. After switching on the instrument, it must warm up before giving accurate results.

4.5.2 Switching on the balance

Before using the balance, it must be warmed up in order to obtain accurate weighing results. To reach operating temperature, the balance must be connected to the power supply for at least 30 minutes (60 minutes for 0.1 mg models).

- The balance is connected to the power supply.
- The balance is warmed up.
- Press .
- ➔ After the start screen has disappeared, the application home screen will open.

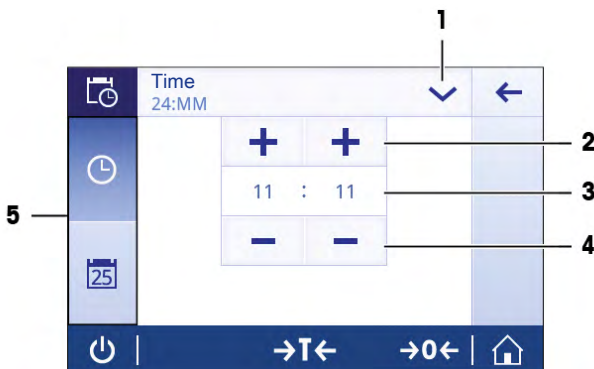
When the balance is switched on for the first time, the **Weighing** application home screen will open. If the balance is switched on again, it will always start with the screen of the application last used before switching it off.

4.5.3 Changing the date and time

Navigation: ⚙️ > 🏠 General configuration > System settings > Date and Time

The dialog (Picker view) allows the user to set the date and time.

Tap 🕒 for **Time** and 📅 for **Date**. The format can be selected by tapping ▾.



	Name	Description
1	Change date/time format	Various date/time formats can be selected.
2	Pick button	Increment.
3	Picker field	Displays the defined time/date.
4	Pick button	Decrement.
5	Selection tabs	Tabs of the selectable sub-categories.

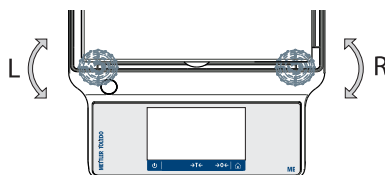
4.5.4 Leveling the balance

Exact horizontal and stable positioning are essential for repeatable and accurate weighing results.

There are two adjustable leveling feet to compensate for slight irregularities in the surface of the weighing bench.

The balance must be leveled and adjusted each time it is moved to a new location.

- 1 Position the balance at the selected location.
- 2 Align the balance horizontally.



- 3 Turn the two front leveling feet of the housing until the air bubble is in the middle of the glass.



Example

Air bubble at 12 o'clock:



turn both feet clockwise.



Air bubble at 3 o'clock:



turn left foot clockwise, right foot counterclockwise.



Air bubble at 6 o'clock:



turn both feet counterclockwise.



Air bubble at 9 o'clock:



turn left foot counterclockwise, right foot clockwise.



4.5.5 Adjusting the balance

To obtain accurate weighing results, the balance must be adjusted to match the gravitational acceleration at its location. This is also dependent on the ambient conditions. After reaching the operating temperature, it is important to adjust the balance in the following cases:

- Before the balance is used for the first time.
- If the balance has been disconnected from the power supply or in the event of power failure.
- After significant environmental changes, e.g., temperature, humidity, air draft or vibrations.
- At regular intervals during weighing service.





For further information, consult the Reference Manual (RM).

► www.mt.com/ME-T-RM





4.5.6 Switching off the balance

Switching off

- 1 Press and hold  until the dialog **Switch-off** appears.
- 2 Tap  to confirm.
 - ➔ The balance switches off and enters standby mode.
- After switching on from standby mode, the balance does not need to warm up. It is immediately ready to start weighing.
- If the balance has been switched off manually, the display will also be off.
To switch off the balance fully, it must be disconnected from the power supply.

4.6 Performing a simple weighing

Navigation:  >  **Activities - Weighing applications** >  **Weighing**

- 1 Press  **0**  to zero the balance.
 - ➔ The application home screen appears.
- 2 Place the sample on the weighing pan.
 - ➔ The instability symbol  appears and the value in the weighing value field becomes **light blue**.
- 3 Wait until the instability symbol  disappears and the value in the weighing value field becomes **dark blue** again.
 - ➔ The weighing process is complete.
 - ➔ The results are now displayed.

4.6.1 Weighing

Zeroing

Use the →**O**← zeroing key before starting to weigh anything.

- 1 Unload the balance.
 - 2 Press →**O**← to zero the balance.
- ⇒ All weight values are measured in relation to this zero point.

Taring


If you are working with a weighing container, tare the balance.


- 1 Place a container on the weighing pan.
 - ⇒ The weight is displayed.
- 2 Press →**T**← to tare the balance.
 - ⇒ **0.000 g** and **Net** appears in the display. **Net** indicates that all weight values displayed are net values.

Weighing

- Place the sample in the container.
 - ⇒ The results are now displayed.
- If the container is removed from the balance, the tare weight will be shown as a negative value.
- The tare weight remains stored until the →**T**← key is pressed again or the balance is switched off.

Print / transmit data

The balance can send data to a printer or a PC. Press the  key to transmit the weighing results or settings via the interface. The procedure for activating and configuring a printer is described in "Publishing" and "Devices and connectivity".

- Printer is connected to the balance.
- Printer is switched on.
- Printer is activated and configured.
- Tap .
- ⇒ The data are transmitted.

4.6.2 Changing the readability

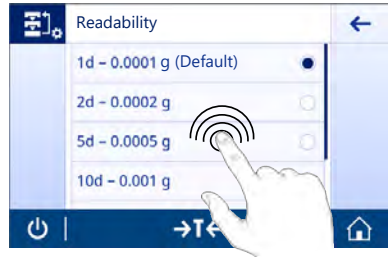
Changing the readability

There are several readabilities available. The default readability (d) is model-specific.

- 1 Tap the weighing value field.



- 2 Tap **10d - 0.001 g**.
 - 3 Confirm the selected readability by tapping ✓.
- ➔ The readability has now been changed.



4.6.3 Switching weight units

Switching weight units

There are several weighing units available. The default value is country-specific.

The weighing unit can be selected using the main configuration of the current application or via shortcut. This example describes how to change the weighing unit via shortcut.

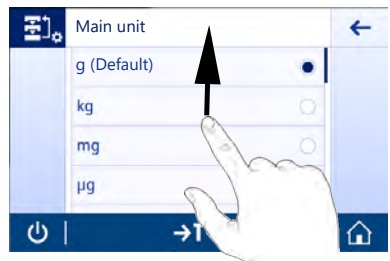
Legal-for-trade

With approved balances, the menu topic has a fixed setting and cannot be changed.

- 1 Tap the weighing process unit (shortcut) **gram (g)**.
- ➔ The screen **Main unit** appears.



- 2 Place your finger somewhere on the list and swipe up to scroll down.
 - 3 Select another weighing unit (e.g. **ounce (oz)**) by tapping it.
 - 4 Tap ✓ to confirm.
- ➔ The weighing unit **gram (g)** has now been changed to **ounce (oz)**.



4.7 Transporting, packing and storing



⚠ CAUTION

Injury due to sharp objects or broken glass

Instrument components, e.g., glass, can break and lead to injuries.

- Always proceed with focus and care.

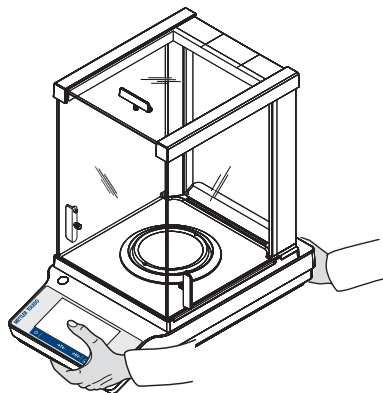
4.7.1 Transporting over short distances

To move the balance over a short distance to a new location, follow the instructions below.

- 1 Disconnect the balance from the AC/DC adapter.
- 2 Disconnect all interface cables.
- 3 Hold the balance with both hands as shown.
- 4 Carefully lift the balance and carry it to its new location.

If you wish to put the balance into operation, proceed as follows:

- 1 Connect in reverse order.
- 2 Level the balance.
- 3 Perform an internal or an external adjustment.



4.7.2 Transporting over long distances

To transport the balance over long distances, always use the original packaging.

4.7.3 Packing and storing

Packing

Store all parts of the packaging in a safe place. The elements of the original packaging are developed specifically for the balance and its components to ensure maximum protection during transportation or storing.

Storing

Store the balance under following conditions:

- Indoor and in the original packaging.
- According to the environmental condition, see "Technical data".
- When storing for longer than six months, the rechargeable battery may be down (date and time get lost).

5 Maintenance

To guarantee the functionality of the balance and the accuracy of the weighing results, a number of maintenance actions must be performed by the user.



For further information, consult the Reference Manual (RM).

► www.mt.com/ME-T-RM

5.1 Maintenance tasks

Maintenance action	Recommended interval	Remarks
Performing an adjustment	<ul style="list-style-type: none">• Daily• After cleaning• After leveling• After changing the location	see "Activities - Adjustments and tests" in the Reference Manual

Maintenance action	Recommended interval	Remarks
Cleaning	<ul style="list-style-type: none"> • After every use • After changing the substance • Depending on the degree of pollution • Depending on your internal regulations (SOP) 	see "Cleaning"
Performing routine test / repeatability test.	<ul style="list-style-type: none"> • After cleaning • After assembling the balance • Depending on your internal regulations (SOP) 	see "Activities - Adjustments and tests" in the Reference Manual

See also

 Cleaning ▶ Page 20

5.2 Cleaning

5.2.1 Disassembling balances with draft shield for cleaning



CAUTION

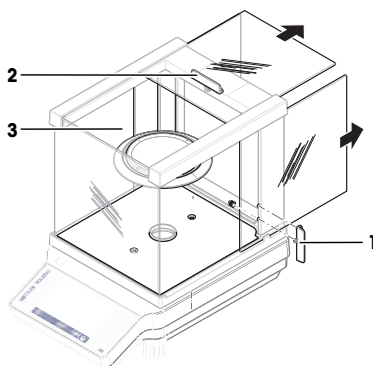
Injury due to sharp objects or broken glass

Instrument components, e.g., glass, can break and lead to injuries.

- Always proceed with focus and care.

- 1 On both side glass doors, unscrew the handles (1) and dismount them.
- 2 Push the side glass doors all the way back and dismount them.
- 3 On the top glass doors, unscrew the handle (2) and dismount it.
- 4 Push the top glass doors all the way back and dismount it.
- 5 Remove weighing pan (3).

After cleaning, reinstall all components in the reverse order.
For balance mounting, refer to Assembling the balance.



5.2.2 Cleaning the balance



NOTICE

Damage due to improper cleaning

Improper cleaning can damage the load cell or other essential parts.

- 1 Do not use any cleaning agents other than the ones specified in the "Reference Manual" or "Cleaning Guide".
- 2 Do not spray or pour liquids on the instrument. Always use a moistened lint-free cloth or a tissue.
- 3 Always wipe out from inside to outside of the instrument.

Cleaning around the balance

- Remove any dirt or dust around the balance and avoid further contaminations.




Cleaning the removable parts

- Clean the removed part with a damp cloth or a tissue and a mild cleaning agent.

Cleaning the balance

- 1 Disconnect the balance from the AC/DC adapter.
- 2 Use a lint-free cloth moistened with a mild cleaning agent to clean the surface of the balance.
- 3 Remove powder or dust at first with a disposable tissue.
- 4 Remove sticky substances with a damp lint-free cloth and a mild solvent.


5.2.3 Putting into operation after cleaning

- 1 Reassemble the balance.
 - 2 If applicable: Check smooth movement of the draft shield.
 - 3 Press  to switch on the balance.
 - 4 Warm up the balance. Wait 1 h for the acclimatization, before starting the tests.
 - 5 Check the level and level the balance if necessary.
 - 6 Perform an internal adjustment.
 - 7 Perform a routine test according to the internal regulations of your company. METTLER TOLEDO recommends to perform a repeatability test after cleaning the balance.
 - 8 Press   to zero the balance.
- ⇒ The balance has been put into operation and is ready to use.


6 Technical Data

6.1 General data

Standard power supply

AC/DC adapter:	Input: 100 – 240 V AC ± 10%, 50 – 60 Hz, 0.5 A, 24 – 34 VA Output: 12 V DC, 1.0 A, LPS (Limited Power Source)
Polarity:	
Balance power consumption:	12 V DC, 0.6 A
Mean sea level:	Can be used up to 2000 m above mean sea level If the balance is used above 2000 m mean sea level, the optional power supply must be used.

Optional power supply

AC/DC adapter:	Input: 100 – 240 V AC ± 10%, 50 – 60 Hz, 0.8 A, 60 – 80 VA Output: 12 V DC, 2.5 A, LPS (Limited Power Source)
Cable for AC/DC adapter:	3-core, with country-specific plug
Polarity:	
Balance power consumption:	12 V DC, 0.6 A
Mean sea level:	Can be used up to 4000 m above mean sea level

Protection and standards

Overvoltage category:	II
Degree of pollution:	2
Protection:	Protected against dust and water
Standards for safety and EMC:	See Declaration of Conformity
Range of application:	Use only indoors in dry locations

Environmental conditions

Height above mean sea level:	Up to 2000 m (standard power supply) Up to 4000 m (optional power supply)
Ambient temperature:	Operating conditions for ordinary lab application: +10 °C to +30 °C (operability guaranteed between +5 °C and +40 °C)
Relative air humidity:	Max. 80% up to 31 °C, linearly decreasing to 50% at 40 °C, non-condensing
Warm-up time:	At least 30 minutes (60 minutes for 0.1 mg models) after connecting the balance to the power supply. When switched on from standby, the instrument is ready for operation immediately.

Materials

Housing:	Top Housing: ABS Bottom housing: Die-cast aluminum
Weighing pan:	Ø 90 mm: Stainless steel X2CrNiMo 17-12-2 (1.4404) All others: Stainless steel X5CrNi 18-10 (1.4301)
Draft shield element:	0.1 mg models: Stainless steel X5CrNi 18-10 (1.4301)
Draft shield:	ABS, glass
Protective cover:	PET
TFT touch screen surface:	Glass

7 Disposal

In conformance with the European Directive 2012/19/EU on Waste Electrical and Electronic Equipment (WEEE) this device may not be disposed of in domestic waste. This also applies to countries outside the EU, per their specific requirements.



Please dispose of this product in accordance with local regulations at the collecting point specified for electrical and electronic equipment. If you have any questions, please contact the responsible authority or the distributor from which you purchased this device. Should this device be passed on to other parties, the content of this regulation must also be related.

GWP®

Good Weighing Practice™

GWP® is the global weighing standard, ensuring consistent accuracy of weighing processes, applicable to all equipment from any manufacturer. It helps to:

- Choose the appropriate balance or scale
- Calibrate and operate your weighing equipment with security
- Comply with quality and compliance standards in laboratory and manufacturing

 www.mt.com/GWP

www.mt.com/balances

For more information

Mettler-Toledo GmbH

Im Langacher 44
8606 Greifensee, Switzerland
www.mt.com/contact

Subject to technical changes.
© Mettler-Toledo GmbH 12/2021
30203401F en



30203401